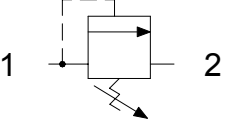
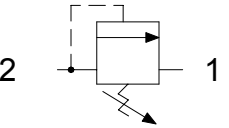


Direct Acting and Differential Area Relief Valves

Direct Acting Relief Valves

	GPM	PSI	LPM	BAR	MODEL	PAGE
	12	3500	45	241	DE-RCA	334
	5	3000	19	207	MA-RVA	336
	6	3500	23	241	PB-RVA	338
	8	4000	30	276	DE-RVA	340
	6	3500	23	241	PB-RVA	342
	8	4000	30	276	DE-RVA	344

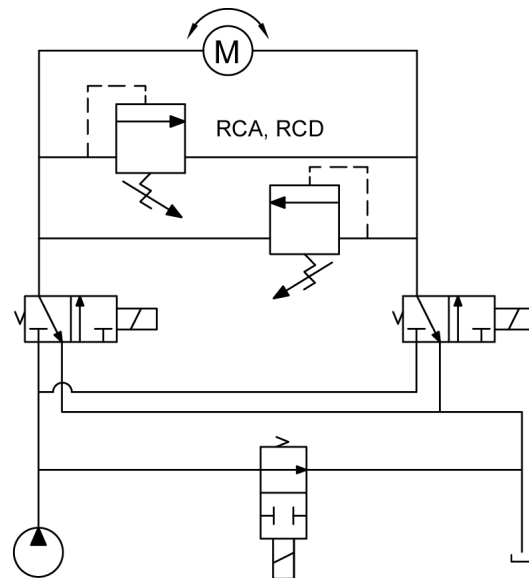
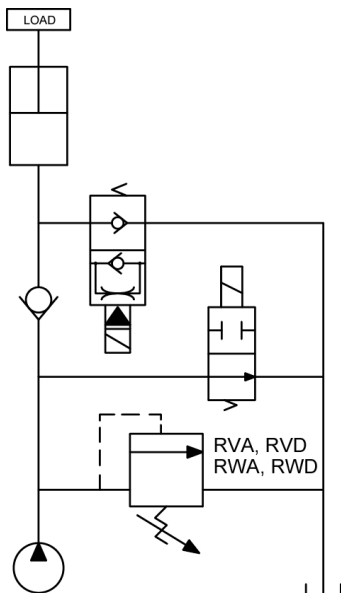
Differential Area Relief Valves

	GPM	PSI	LPM	BAR	MODEL	PAGE
	15	3500	57	241	DE-RCD	346
	8	3500	30	241	PB-RVD	348
	15	4000	57	276	DE-RVD	350
	40	5000	151	345	HE-RVD	352
	8	3500	30	241	PB-RWD	354
	15	4000	57	276	DE-RWD	356

Typical Schematic

Typical application for the RVA, RVD, RWA, RWD is to protect pump and system.

Typical application for the RCA and RCD is cross over relief to protect motor in both directions, where lowest possible price is desired.



WARNING: The specifications/application data shown in our catalogs and data sheets are intended only as a general guide for the product described (herein). Any specific application should not be undertaken without independent study, evaluation, and testing for suitability.



DE-RCA Guided Ball, Direct Acting Relief Valve

DESCRIPTION

10 size, 7/8-14 thread, "Delta" series, direct acting relief valve.

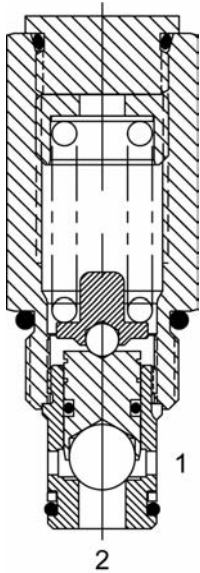
OPERATION

The DE-RCA blocks flow from (2) to (1) until sufficient pressure is present at (2) to force the poppet to open and allow metered flow from (2) to (1).

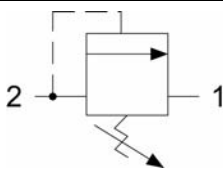
The cartridge offers smooth transition in response to load changes in common hydraulic circuits.

FEATURES

- Hardened parts for long life.
- Industry common cavity.



HYDRAULIC SYMBOL

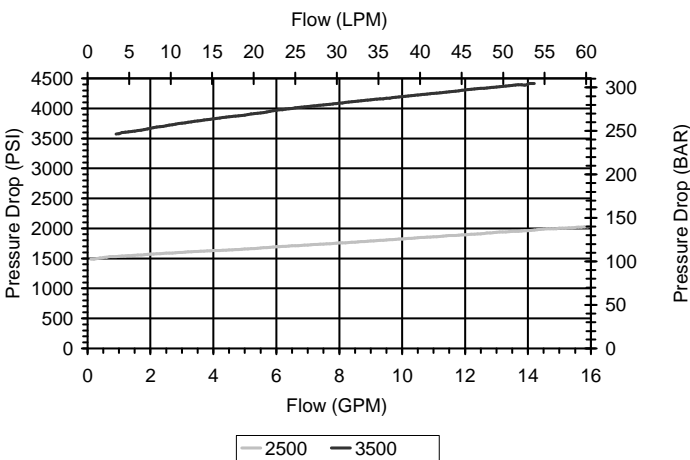


Installation Space Saving Product.
Cannot be field adjusted.

Not recommended for crossover relief valve applications, use DE-RWA

PERFORMANCE

Actual Test Data (Cartridge Only)



VALVE SPECIFICATIONS

Nominal Flow	12 GPM (45 LPM)
Rated Operating Pressure	3500 PSI (241 bar)
Viscosity Range	36 to 3000 SSU (3 to 647 cSt)
Filtration	ISO 18/16/13
Media Operating Temperature Range	-40° to 250° F (-40° to 120° C)
Weight	.38 lbs. (.17 kg)
Operating Fluid Media	General Purpose Hydraulic Fluid
Cartridge Torque Requirements	30 ft-lbs (40.6 Nm)
Cavity	DELTA 2W
Cavity Form Tool (Finishing)	40500000
Seal Kit	21191200

WARNING: The specifications/application data shown in our catalogs and data sheets are intended only as a general guide for the product described (herein). Any specific application should not be undertaken without independent study, evaluation, and testing for suitability.

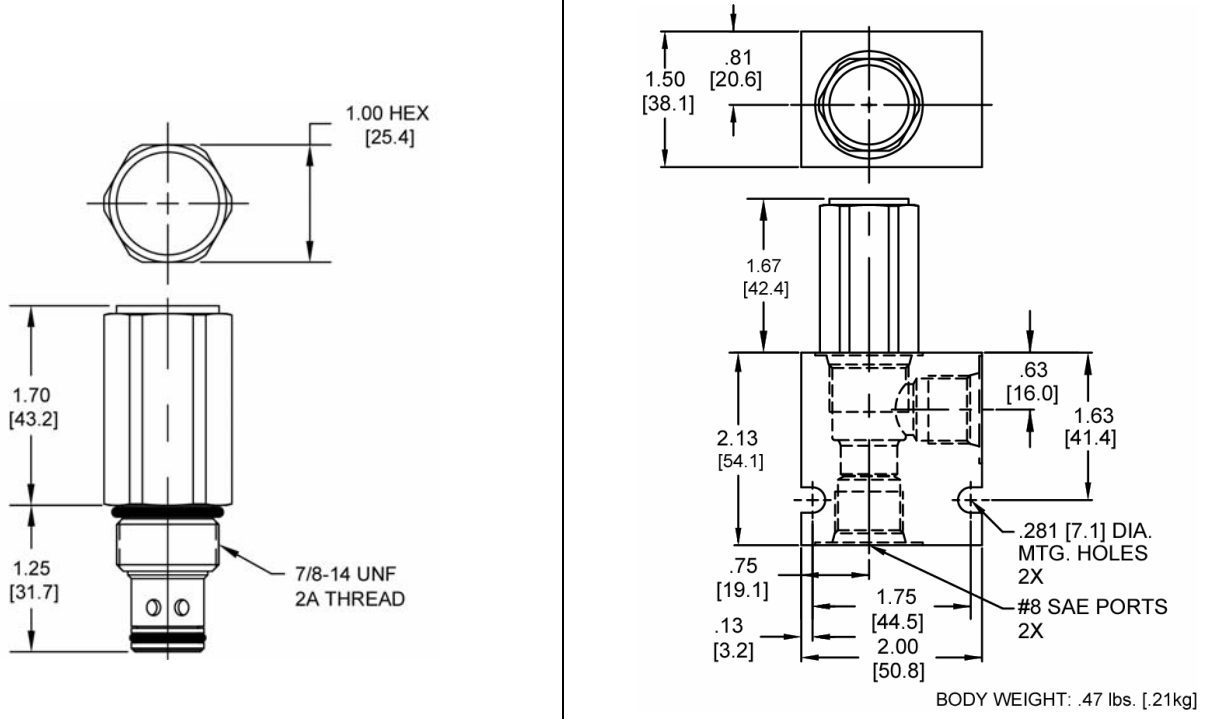
Phone: (815) 397-6628

Fax: (815) 397-2526

E-mail: delta@delta-power.com



DIMENSIONS



ORDERING INFORMATION

DE-RCA		-	-	-	-
OPTIONS					
Buna Standard	00			Blank	BODIES
Viton Standard	V0			N	Without Body
				S	3/8 NPTF Ports
					#8 SAE Ports
					PRESSURE RANGE/SETTING
			2500		100 – 2500 PSI
			3500		250 – 3500 PSI

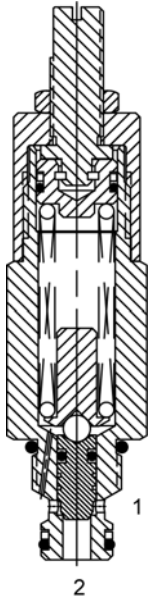
WARNING: The specifications/application data shown in our catalogs and data sheets are intended only as a general guide for the product described (herein). Any specific application should not be undertaken without independent study, evaluation, and testing for suitability.

Phone: (815) 397-6628

Fax: (815) 397-2526

E-mail: delta@delta-power.com

MA-RVA Direct Acting Relief Valve



DESCRIPTION

7 size, 5/8-18 thread, "Mini" series, direct acting relief valve.

OPERATION

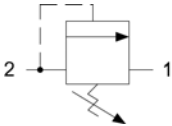
The MA-RVA blocks flow from (2) to (1) until sufficient pressure is present at (2) to force the poppet to open and allow metered flow from (2) to (1)

The cartridge offers smooth transition in response to load changes in common hydraulic circuits.

FEATURES

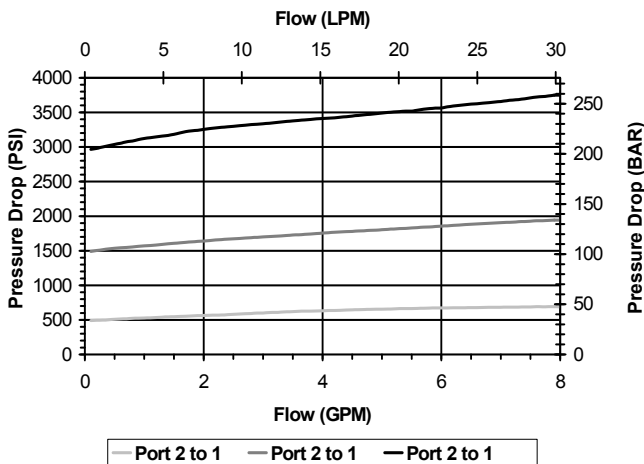
- Hardened parts for long life.
- Industry common cavity.

HYDRAULIC SYMBOL



PERFORMANCE

Actual Test Data (Cartridge Only)

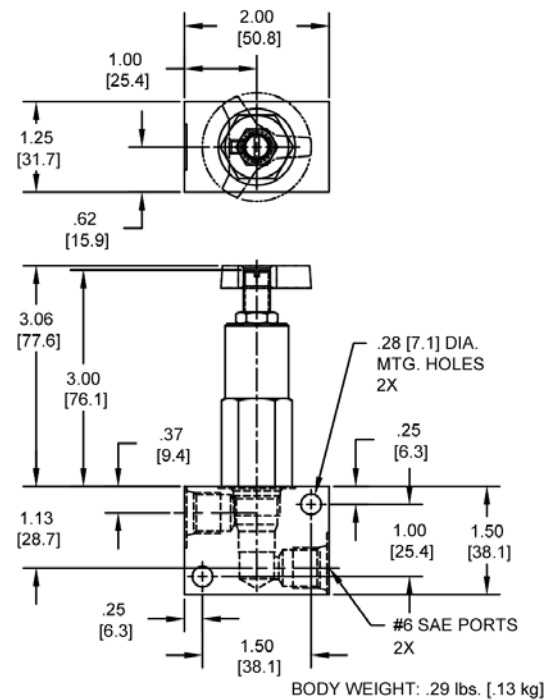
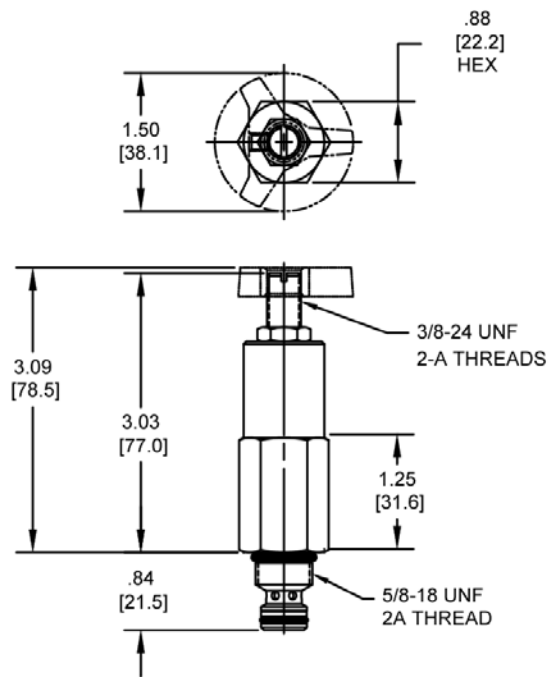


VALVE SPECIFICATIONS

Nominal Flow	5 GPM (19 LPM)
Rated Operating Pressure	3000 PSI (207 bar)
Viscosity Range	36 to 3000 SSU (3 to 647 cSt)
Filtration	ISO 18/16/13
Media Operating Temperature Range	-40° to 250° F (-40° to 120° C)
Weight	.39 lbs. (.17kg)
Operating Fluid Media	General Purpose Hydraulic Fluid
Cartridge Torque Requirements	15 ft-lbs (20.3 Nm)
Cavity	MINI 2W
Cavity Form Tool (Finishing)	40500003
Seal Kit	21191000

WARNING: The specifications/application data shown in our catalogs and data sheets are intended only as a general guide for the product described (herein). Any specific application should not be undertaken without independent study, evaluation, and testing for suitability.

DIMENSIONS



ORDERING INFORMATION

MA-RVA - - - -

OPTIONS
Buna Standard **00**
Viton Standard **V0**
Buna, Knob **0K**
Viton, Knob **VK**

BODIES
Blank
N ¼ NPTF Ports
S #6 SAE Ports

PRESSURE RANGE
0500 100-500 PSI
1500 500-1500 PSI
3000 1500-3000 PSI

WARNING: The specifications/application data shown in our catalogs and data sheets are intended only as a general guide for the product described (herein). Any specific application should not be undertaken without independent study, evaluation, and testing for suitability.



PB-RVA Direct Acting Relief Valve

DESCRIPTION

8 size, 3/4-16 thread, "Power" series, direct acting relief valve.

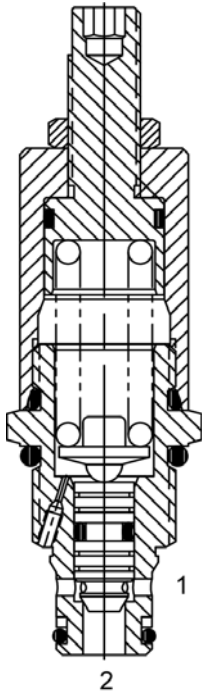
OPERATION

The PB-RVA blocks flow from (2) to (1) until sufficient pressure is present at (2) to force the poppet to open and allow metered flow from (2) to (1)

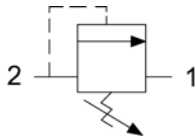
The cartridge offers smooth transition in response to load changes in common hydraulic circuits.

FEATURES

- Hardened parts for long life.
- Industry common cavity.

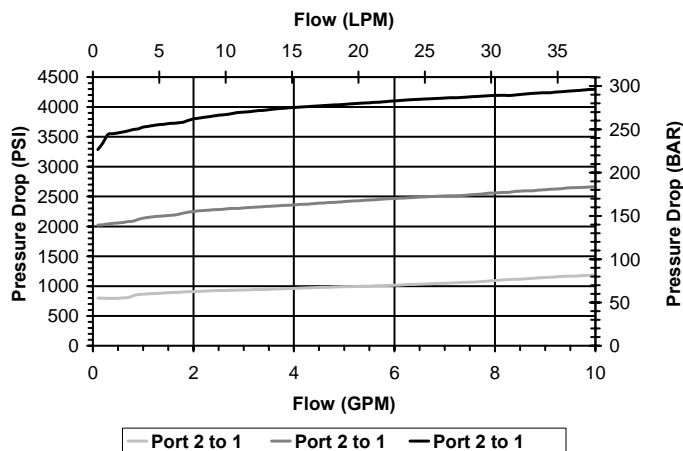


HYDRAULIC SYMBOL



PERFORMANCE

Actual Test Data (Cartridge Only)



VALVE SPECIFICATIONS

Nominal Flow	6 GPM (23 LPM)
Rated Operating Pressure	3500 PSI (241 bar)
Viscosity Range	36 to 3000 SSU (3 to 647 cSt)
Filtration	ISO 18/16/13
Media Operating Temperature Range	-40° to 250° F (-40° to 120° C)
Weight	.30 lbs. (.14 kg)
Operating Fluid Media	General Purpose Hydraulic Fluid
Cartridge Torque Requirements	25 ft-lbs (34 Nm)
Cavity	POWER 2W
Cavity Form Tool (Finishing)	40500005
Seal Kit	21191100

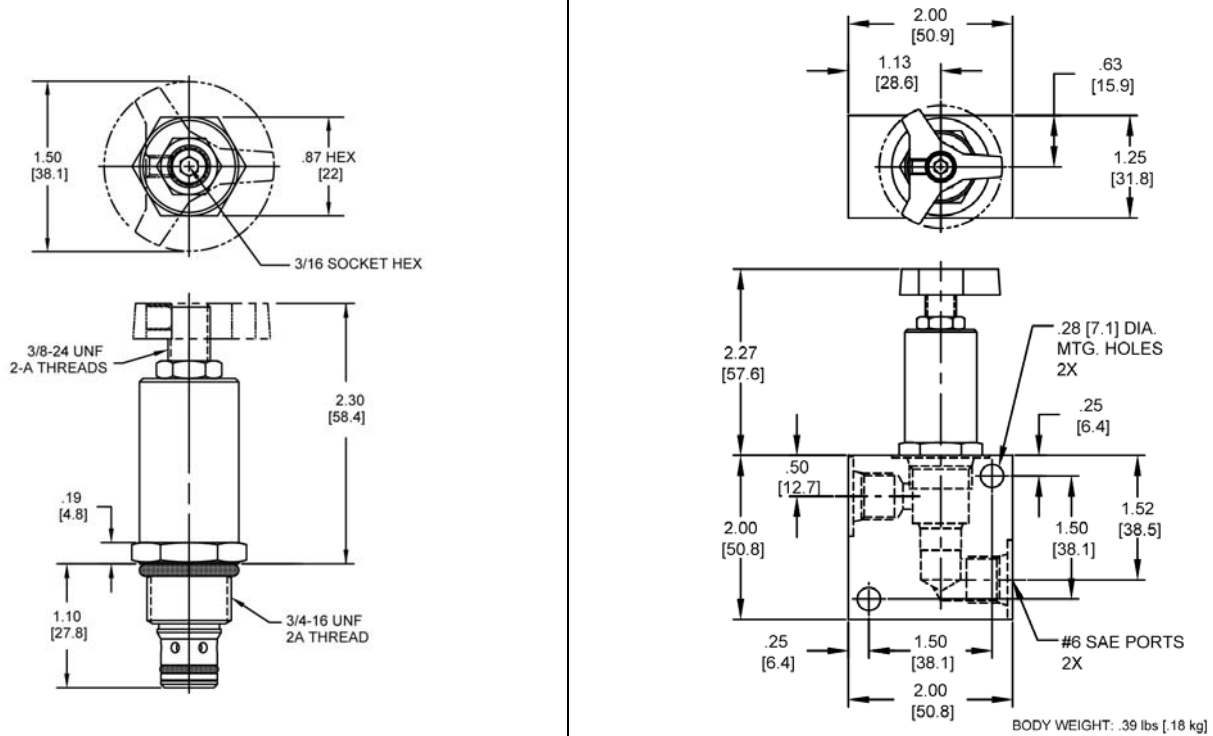
WARNING: The specifications/application data shown in our catalogs and data sheets are intended only as a general guide for the product described (herein). Any specific application should not be undertaken without independent study, evaluation, and testing for suitability.

Phone: (815) 397-6628

Fax: (815) 397-2526

E-mail: delta@delta-power.com

DIMENSIONS



ORDERING INFORMATION

PB-RVA - - - -			
OPTIONS			BODIES
Buna Standard	00		Blank
Viton Standard	V0		Without Body
Buna, Knob	0K		N 1/4 NPTF Ports
Viton, Knob	VK		S #6 SAE Ports
			PRESSURE RANGE/SETTING
		0800	100 - 800 PSI
		2000	800 - 2000 PSI
		3500	2000 - 3500 PSI

WARNING: The specifications/application data shown in our catalogs and data sheets are intended only as a general guide for the product described (herein). Any specific application should not be undertaken without independent study, evaluation, and testing for suitability.

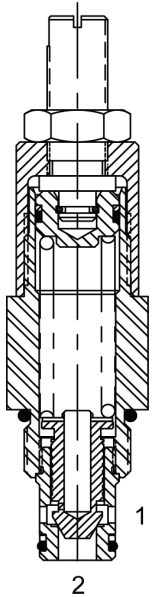
Phone: (815) 397-6628

Fax: (815) 397-2526

E-mail: delta@delta-power.com



DE-RVA Direct Acting Relief Valve



DESCRIPTION

10 size, 7/8-14 thread, "Delta" series, direct acting relief valve.

OPERATION

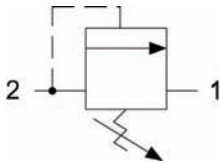
The DE-RVA blocks flow from (2) to (1) until sufficient pressure is present at (2) to force the poppet to open and allow metered flow from (2) to (1)

The cartridge offers smooth transition in response to load changes in common hydraulic circuits.

FEATURES

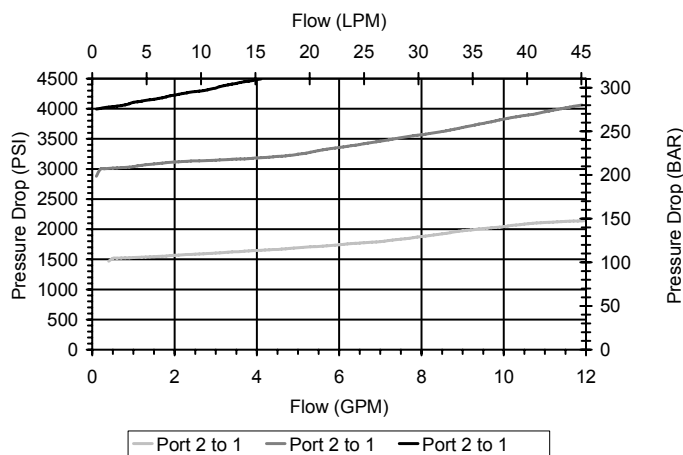
- Hardened parts for long life.
- Industry common cavity.

HYDRAULIC SYMBOL



PERFORMANCE

Actual Test Data (Cartridge Only)



VALVE SPECIFICATIONS

Nominal Flow	4 GPM (15.6 LPM) 4000 PSI 8 GPM (30 LPM) 3000 PSI
Rated Operating Pressure	4000 PSI (276 bar)
Viscosity Range	36 to 3000 SSU (3 to 647 cSt)
Filtration	ISO 18/16/13
Media Operating Temperature Range	-40° to 250° F (-40° to 120° C)
Weight	.56 lbs. (.25 kg)
Operating Fluid Media	General Purpose Hydraulic Fluid
Cartridge Torque Requirements	30 ft-lbs (40.6 Nm)
Cavity	DELTA 2W
Cavity Form Tool (Finishing)	40500000
Seal Kit	21191200

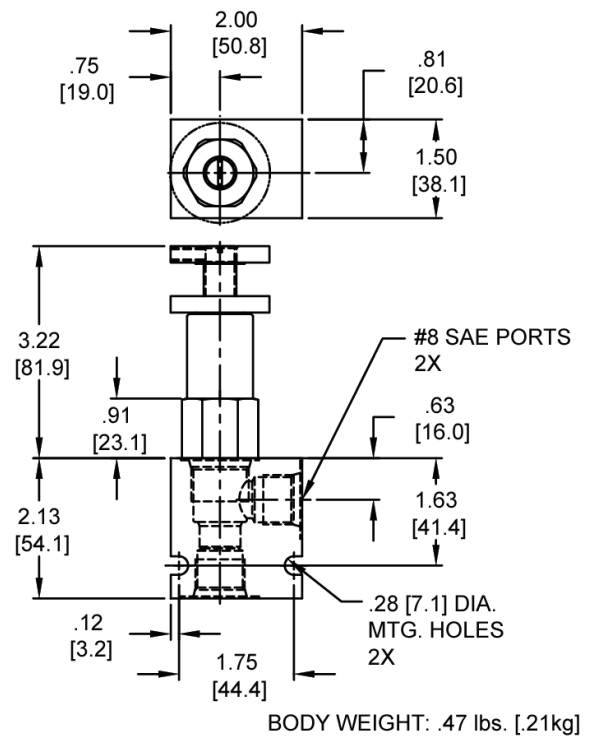
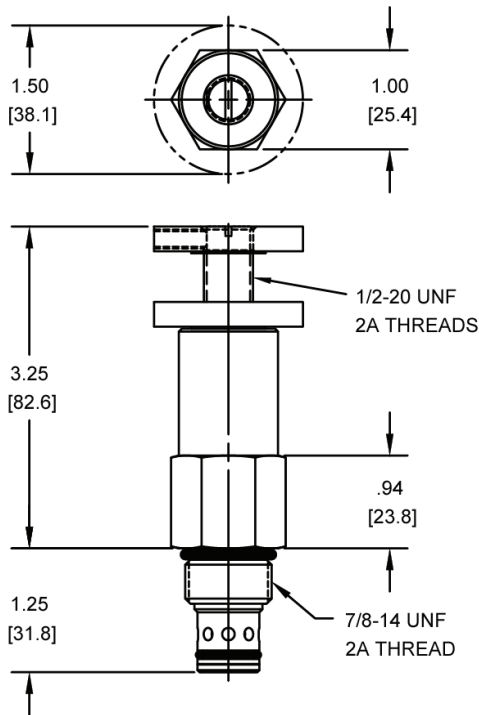
WARNING: The specifications/application data shown in our catalogs and data sheets are intended only as a general guide for the product described (herein). Any specific application should not be undertaken without independent study, evaluation, and testing for suitability.

Phone: (815) 397-6628

Fax: (815) 397-2526

E-mail: delta@delta-power.com

DIMENSIONS



ORDERING INFORMATION

DE-RVA - - - -		
OPTIONS		BODIES
Buna Standard	00	Blank
Viton Standard	V0	N Without Body
Buna, Knob	0K	S 3/8 NPTF Ports
Viton, Knob	VK	#8 SAE Ports
		PRESSURE RANGE/SETTING
	1500	200 - 1500 PSI
	3000	1500 - 3000 PSI
	4000	2500 - 4000 PSI

WARNING: The specifications/application data shown in our catalogs and data sheets are intended only as a general guide for the product described (herein). Any specific application should not be undertaken without independent study, evaluation, and testing for suitability.

Phone: (815) 397-6628

Fax: (815) 397-2526

E-mail: delta@delta-power.com